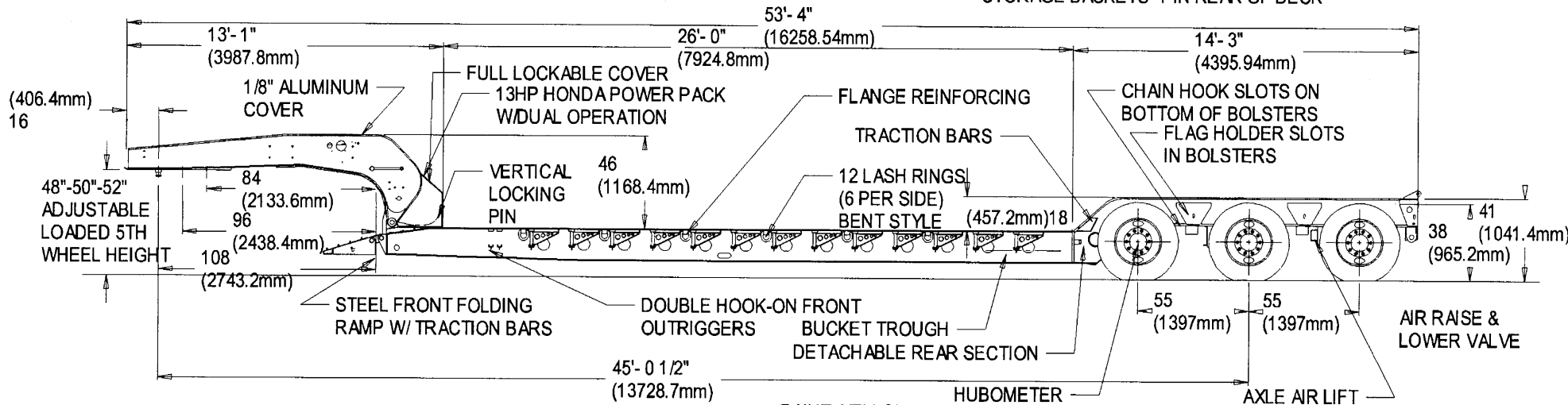
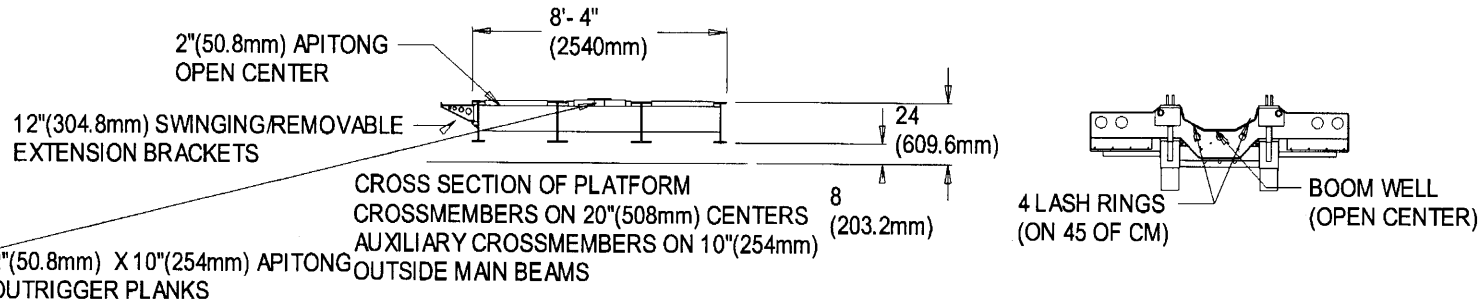


DEALER/CUSTOMER APPROVAL \_\_\_\_\_

DATE \_\_\_\_\_

REVISIONS			
REV	DESCRIPTION	DATE	APPROVED

W.P.G. INTERNATIONAL



60 METRIC TONS IN ANY 12'  
 FRAME REINFORCEMENT  
 FOR 4TH AXLE & 3+1  
 (14'-1" (4292.6mm) SPREAD)  
 TRACTION BARS  
 ON FRONT SLOPE  
 WET LINE OPERATION

11R/24.5(H) TIRES  
 STEEL DISC WHEELS  
 AIR RIDE SUSPENSION  
 ETNYRE MANUAL (+3/-3)  
 MANUAL EXHAUST VALVE  
 16 1/2" X 7" HEAVY DUTY AIR BRAKES  
 (3) 25,000# 3/4" WALL AXLES  
 SPRING BRAKES ON 2ND AXLE  
 SPARE TIRE & WHEEL

PAINT: YELLOW  
 LIGHTS: 24V TRUCK LITE

DRAWING IS FOR ILLUSTRATIVE PURPOSES ONLY. ALL WEIGHTS AND DIMENSIONS ARE APPROXIMATE. TRAILER IS SHOWN IN FULLY LOADED CONDITION. PLATFORM HEIGHTS WILL INCREASE IF LOADED LESS THAN FULL CAPACITY.

GENERAL NOTES: REMOVE ALL BURRS BREAK SHARP EDGES MINIMUM BEND RAD. UNLESS SPECIFIED BEND RELIEF SHOP OPTION	DFTR _____ KS	<b>E.D.ETNYRE&amp;CO.</b> OREGON,IL. 61061		
	SALES _____ KS/JK			ALL DIMENSIONS IN INCHES DO NOT SCALE DWG
SER.NO: _____	ENGR _____	DRAWING TITLE		
	APPD _____	<b>RTN60MTD3-RA</b>		
FINISH CHART	TOLERANCE UNLESS SPECIFIED FRACTIONAL ±1/32 DECIMAL .X±1 .XX±.03 .XXX±.010	DWG SIZE <b>B</b>	DRAWING NO. <b>RTN-5218</b>	REV
	ANGLES±0° 30'	SCALE NONE	DATE <b>10-4-05</b>	SHEET 1 OF 1